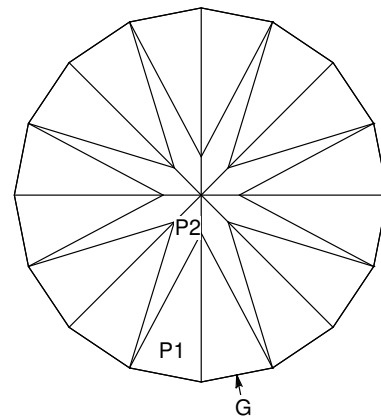
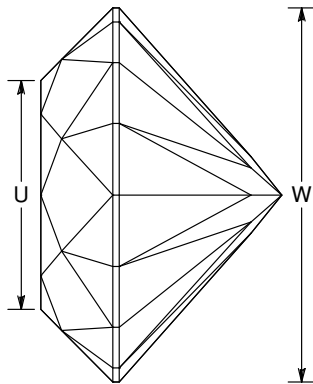
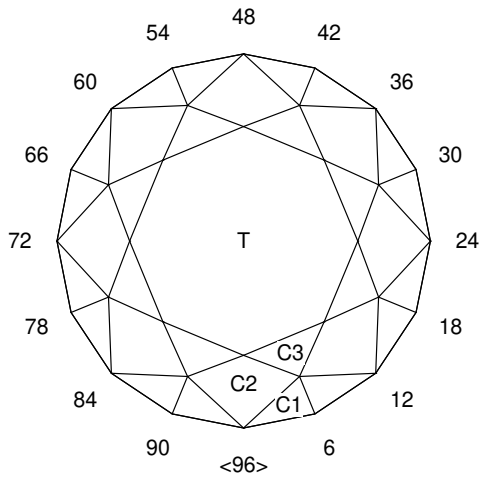


SECTION: O 8B.1 – STANDARD BRILLIANT with FACETED GIRDLER

MATERIAL – COLOURLESS QUARTZ Specified size: 8 mm

FACETS - 73: MEETS - 57 (Crown - 32, Pavilion - 25)



STANDARD BRILLIANT WITH FACETED GIRDLER

Angles for R.I. = 1.540

57 + 16 = 73 facets

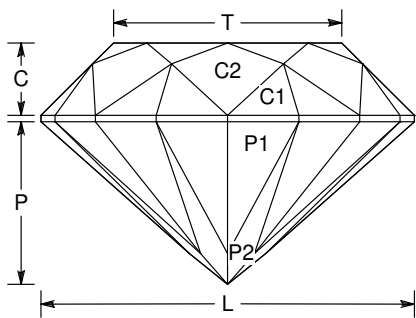
8-fold, mirror-image symmetry

96 index

$L/W = 1.000$ $T/W = 0.611$ $U/W = 0.611$

$P/W = 0.435$ $C/W = 0.193$

$Vol./W^3 = 0.228$



PAVILION

| | | | |
|----|--------|---|-----------------------|
| P1 | 43.00° | 03-09-15-21-27-33-39-45-51-57-63-69-75-81-87-93 | Cut to TCP |
| G | 90.00° | 03-09-15-21-27-33-39-45-51-57-63-69-75-81-87-93 | Outline Girdle |
| P2 | 41.00° | 06-18-30-42-54-66-78-90 | Meet, P1, G. form PCP |

CROWN

| | | | |
|----|--------|---|--------------------------|
| C1 | 48.00° | 03-09-15-21-27-33-39-45-51-57-63-69-75-81-87-93 | Set girdle |
| C2 | 43.00° | 96-12-24-36-48-60-72-84 | Cut to meet C1 - G |
| C3 | 27.00° | 06-18-30-42-54-66-78-90 | Cut to meet C1 - C2 |
| T | 0.00° | Table | Cut to meet C3 - C2 - C3 |